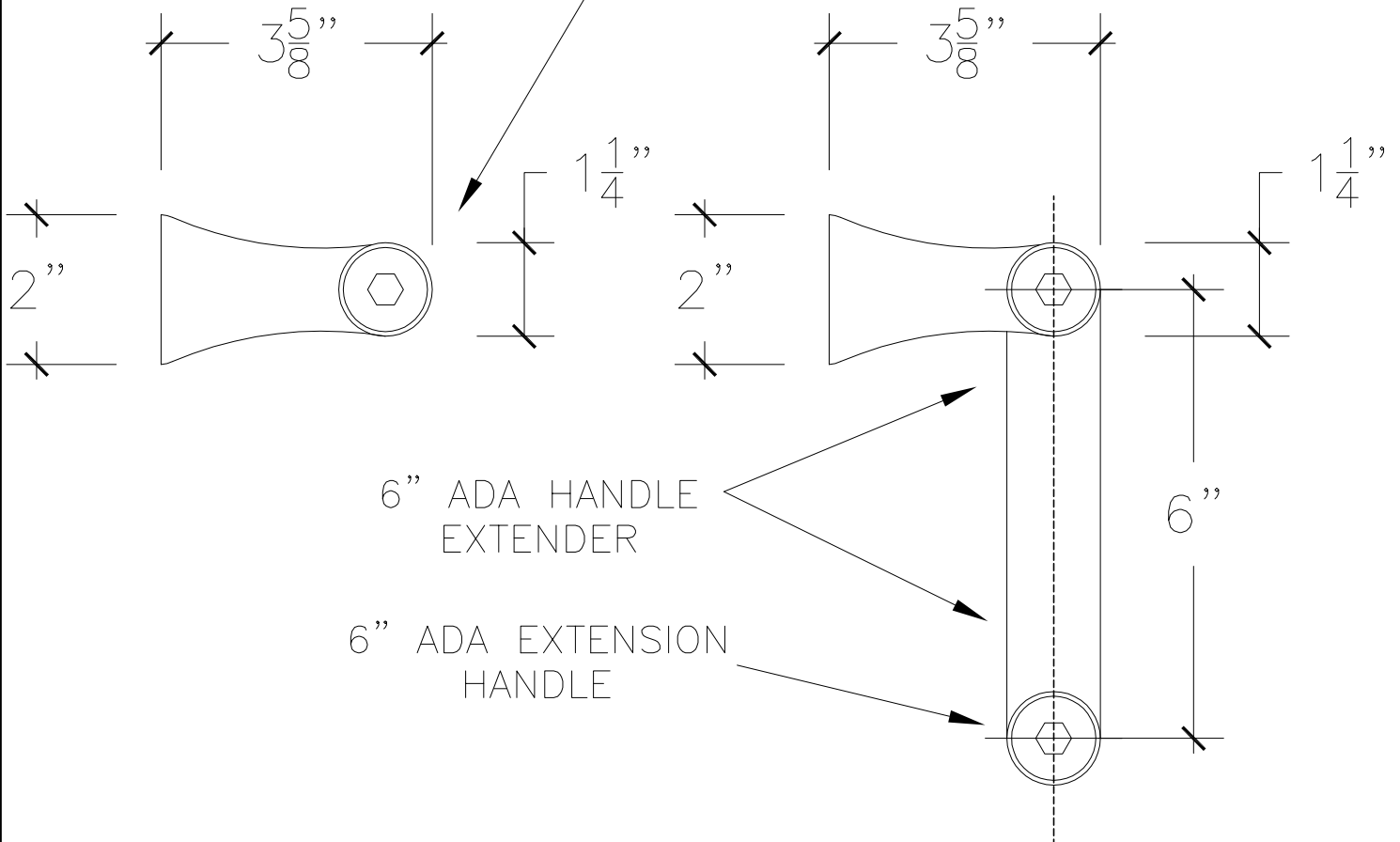


EXISTING HANDLE



6" ADA HANDLE  
EXTENDER

6" ADA EXTENSION  
HANDLE

CLIENT  
APPROVED: \_\_\_\_\_

DATE: \_\_\_\_\_

<b>LANE BANK EQUIPMENT</b> 5921 Centralcrest Houston, Tx 77092 (713) 682-5263 1-800-245-5755		<b>LANE CUSTOM Safes &amp; AHDs</b> <b>ADA HANDLE EXTENSION</b>	
SCALE Not Scale	DRAWN BY: T. NATEIL	DWG NO. 700-117 (172)	PRODUCTION
FILE: Lane/700/117 -2006		DATE 05/01/06	COMPARISON: CURRENT & NEW