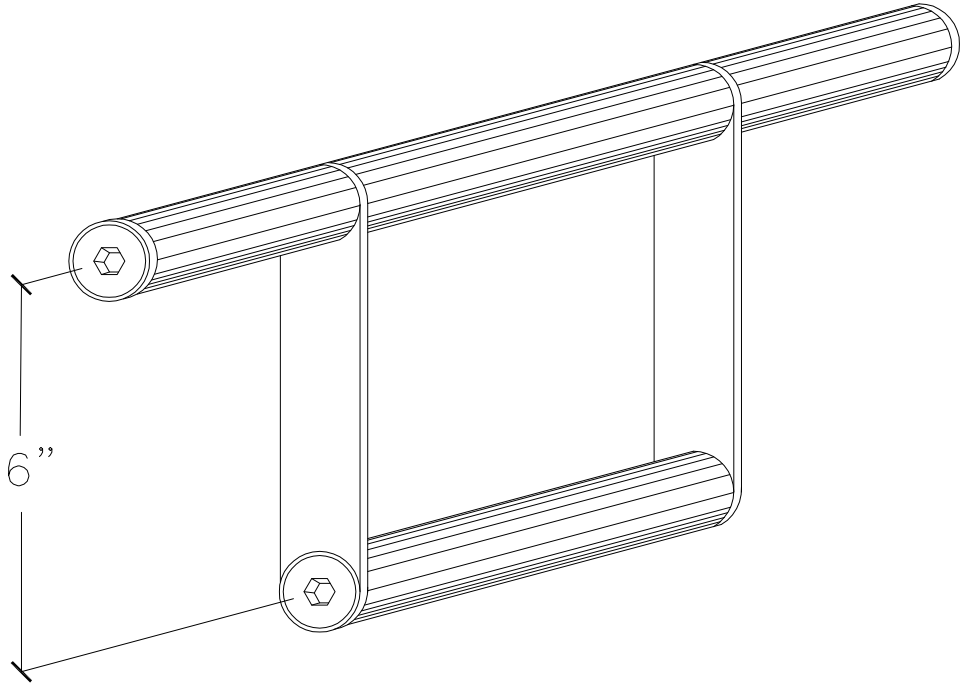
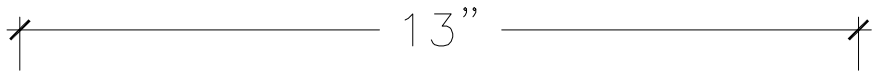


TOP

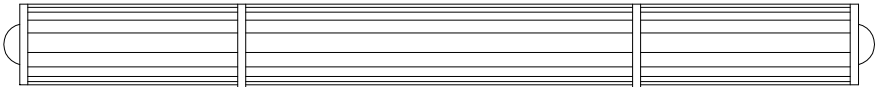


6"

FRONT



13"



2"

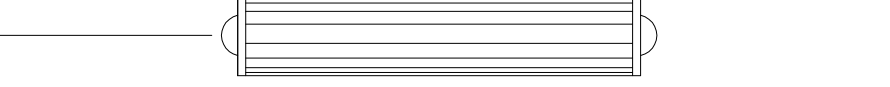
SIDE



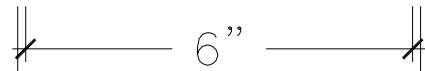
6"

6"

1 1/4"



6"



6 1/4"

CLIENT APPROVED: _____

DATE: _____

LANE BANK EQUIPMENT 5921 Centralcrest Houston, Tx 77092 (713) 682-5263 1-800-245-5755		LANE CUSTOM Safes & AHDs ADA HANDLE EXTENSION	
SCALE Not Scale	DRAWN BY: T. NATEIL	DWG NO. 700-117 (171)	
FILE: Lane/700/117 -2006	DATE 05/01/06	CUT - SHEET DRAWING	